

***SMD560***  
***Motorcycle Wheel***  
***Dolly 560kg***

OWNER'S MANUAL

# ***IMPORTANT***

PLEASE READ THESE INSTRUCTIONS CAREFULLY. NOTE THE SAFETY INSTRUCTIONS AND WARNINGS. USE THE PRODUCT CORRECTLY AND WITH CARE FOR THE PURPOSE FOR WHICH IS INTENDED. FAILURE TO DO SO MAY CAUSE DAMAGE TO PROPERTY AND/OR PERSONAL INJURY. PLEASE KEEP THIS INSTRUCTION MANUAL SAFE FOR FUTURE USE.

## ***1. SAFETY INSTRUCTIONS AND WARNINGS***

- 1.1 Use a qualified person to maintain the dolly in good condition, Keep it clean for best and efficient performance.
- 1.2 The maximum load is 1250 LBS, **DO NOT** exceed this rated capacity.
- 1.3 Use this dolly for carrying a motorcycle only. **DO NOT** use it for any other purpose it is not designed to perform.
- 1.4 **DO NOT** use the dolly in carrying or moving people, and **DO NOT** sit on the dolly.
- 1.5 Keep children and unauthorized persons away from the work area.
- 1.6 Remove loose clothing. Remove ties, watches, rings, other loose jewelry and contain long hair.
- 1.7 Wear ANSI approved safety goggles when operating the dolly.
- 1.8 Keep proper balance and footing, **DO NOT** overreach and wear nonskid footwear.
- 1.9 Only use the dolly on a surface that is stable, level, dry, not slippery, and capable of sustaining the load.
- 1.10 Put the handles on Carriage A and Carriage B down when not in use, lock it in a safe, dry place and keep away from children.
- 1.11 Always keep your hands and feet away from moving parts.
- 1.12 **DO NOT** operate the dolly when you are tired or under the influence of alcohol, drugs or any intoxicating medication.
- 1.13 **DO NOT** make any modifications to the dolly.
- 1.14 **DO NOT** expose this product to rain or snow.
- 1.15 If the dolly needs repairing and/or there is any part which needs to be replaced, have it repaired by authorized technicians and only use the replacement parts supplied by the manufacturer.

### **WARNING:**

The warnings, cautions and instructions discussed in this instruction manual cannot cover all possible conditions and situations that may occur. It must be understood by the operator that common sense and caution are factors which cannot be built into this product, but must be supplied by the operator.

## ***2. ASSEMBLY***

Unpack the table and check contents with list below. Should there be any damaged or missing parts, contact your supplier immediately.

Content:

Caster Assembly, Side Tray, Frame Assembly, Carriage A, Carriage B, Step pin, Connecting plate, Bolt, Nut, Washer, Lock washer, Connecting pipe

### **2.1 Caster Assembly**

Attach five Caster Assembly to Frame Assembly(1) and Side tray (17) using Bolt M6x16 (3), Washer (4), Lock washer (5) and Nut (6). Secure them firmly.

### **2.2 Carriage A and Carriage B Assembly**

Fit Connecting plate (7) to the two sides of Carriage A (9), then attach the Connecting plate (7) to Frame Assembly (1) by using Bolt (8), Washer (4), Lock washer (5) and Nut (6) securing firmly. Repeat for assembly of Carriage B.

### **2.3 Associate Frame Assembly**

Connect two Frame assembly (1) by two Connecting pipes (16), then fix them by using Bolt (11), Washer (12), Lock washer (13) and Nut (14).

### **2.4 Side tray Assembly**

Fit Side tray (17) to Frame assembly (1) by using Bolt (15), Washer (12), Lock washer (13) and Nut (14).

2.5 Attach two Stop pins (10) to the slots on each end of Frame assembly (1), secure all nuts tightly.

## ***3. OPERATION***

3.1 When in use, please put the handles on Carriage A (9) and Carriage B (18) down to lock the dolly. This will prevent the dolly moving when loading with a motorcycle.

3.2 Take the Stop pin (10) off at one side, push the motorcycle up to the dolly and support the motorcycle by its side foot on the Side tray (7), then put the Stop pin (10) back.

3.3 Fasten motorcycle to the dolly using belts to prevent the motorcycle toppling over during use.

3.4 Pull back the handles on Carriage A (9) and Carriage B (18), which will enable movement of the dolly.

## 4. MAINTENANCE

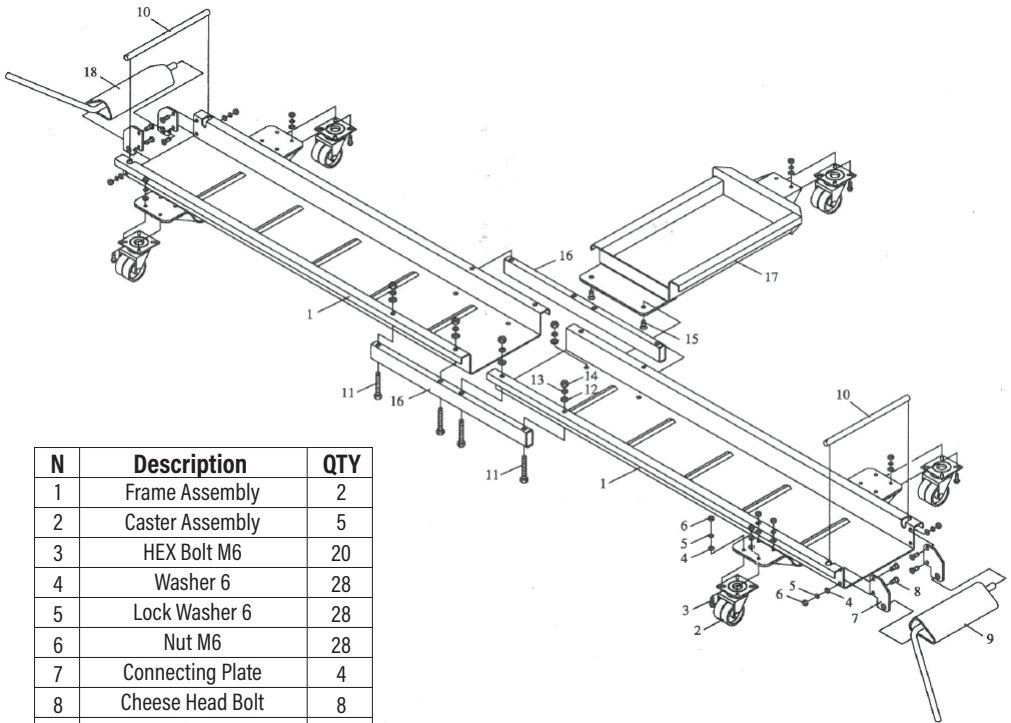
4.1 Check all the nuts are firmly secured.

4.2 Periodically check all the joints. Remove from service if any cracking or the frame is bent or deformed.

4.3 Lubricate wheels periodically for best use.

4.4 Put the handles on Carriage A and Carriage B down when not in use to lock the wheels.

## 5. EXPLODED DRAWING AND PART LIST



N	Description	QTY
1	Frame Assembly	2
2	Caster Assembly	5
3	HEX Bolt M6	20
4	Washer 6	28
5	Lock Washer 6	28
6	Nut M6	28
7	Connecting Plate	4
8	Cheese Head Bolt	8
9	Carriage A	1
10	Stop Pin	2
11	Bolt M8	8
12	Washer 8	10
13	Lock Washer	10
14	Nut M8	10
15	Bolt M8	2
16	Connecting Pipe	2
17	Side Tray	1
18	Carriage B	1



*SGS-ENGINEERING.COM*